

ENGINE SECTION 1

This service manual has been prepared to provide SUBARU service personnel with the necessary information and data for the correct maintenance and repair of SUBARU vehicles.

This manual includes the procedures for maintenance, disassembling, reassembling, inspection and adjustment of components and diagnostics for guidance of experienced mechanics.

Please peruse and utilize this manual fully to ensure complete repair work for satisfying our customers by keeping their vehicle in optimum condition. When replacement of parts during repair work is needed, be sure to use SUBARU genuine parts.

All information, illustration and specifications contained in this manual are based on the latest product information available at the time of publication approval.

FUEL INJECTION (FUEL SYSTEMS) FU(H4SO)

EMISSION CONTROL (AUX. EMISSION CONTROL DEVICES) EC(H4SO)

INTAKE (INDUCTION) IN(H4SO)

MECHANICAL ME(H4SO)

EXHAUST EX(H4SO)

COOLING CO(H4SO)

LUBRICATION LU(H4SO)

SPEED CONTROL SYSTEMS SP(H4SO)

IGNITION IG(H4SO)

STARTING/CHARGING SYSTEMS SC(H4SO)

ENGINE (DIAGNOSTICS) EN(H4SO)(diag)

FUEL INJECTION (FUEL SYSTEMS) FU(H4SOw/oOBD)

EMISSION CONTROL (AUX. EMISSION CONTROL DEVICES) EC(H4SOw/oOBD)

INTAKE (INDUCTION) IN(H4SOw/oOBD)

MECHANICAL ME(H4SOw/oOBD)

EXHAUST EX(H4SOw/oOBD)

COOLING CO(H4SOw/oOBD)

ENGINE SECTION 1

LUBRICATION LU(H4SOw/oOBD)

SPEED CONTROL SYSTEMS SP(H4SOw/oOBD)

IGNITION IG(H4SOw/oOBD)

STARTING/CHARGING SYSTEMS SC(H4SOw/oOBD)

ENGINE (DIAGNOSTICS) EN(H4SOw/oOBD)
(diag)

COOLING

CO(H4SO)

	Page
1. General Description	2
2. Radiator Main Fan System.....	6
3. Radiator Sub Fan System	9
4. Engine Coolant.....	13
5. Water Pump	15
6. Thermostat	18
7. Radiator.....	19
8. Radiator Cap	22
9. Radiator Main Fan and Fan Motor	23
10. Radiator Sub Fan and Fan Motor.....	24
11. Reservoir Tank.....	25
12. Engine Cooling System Trouble in General	26

General Description

COOLING

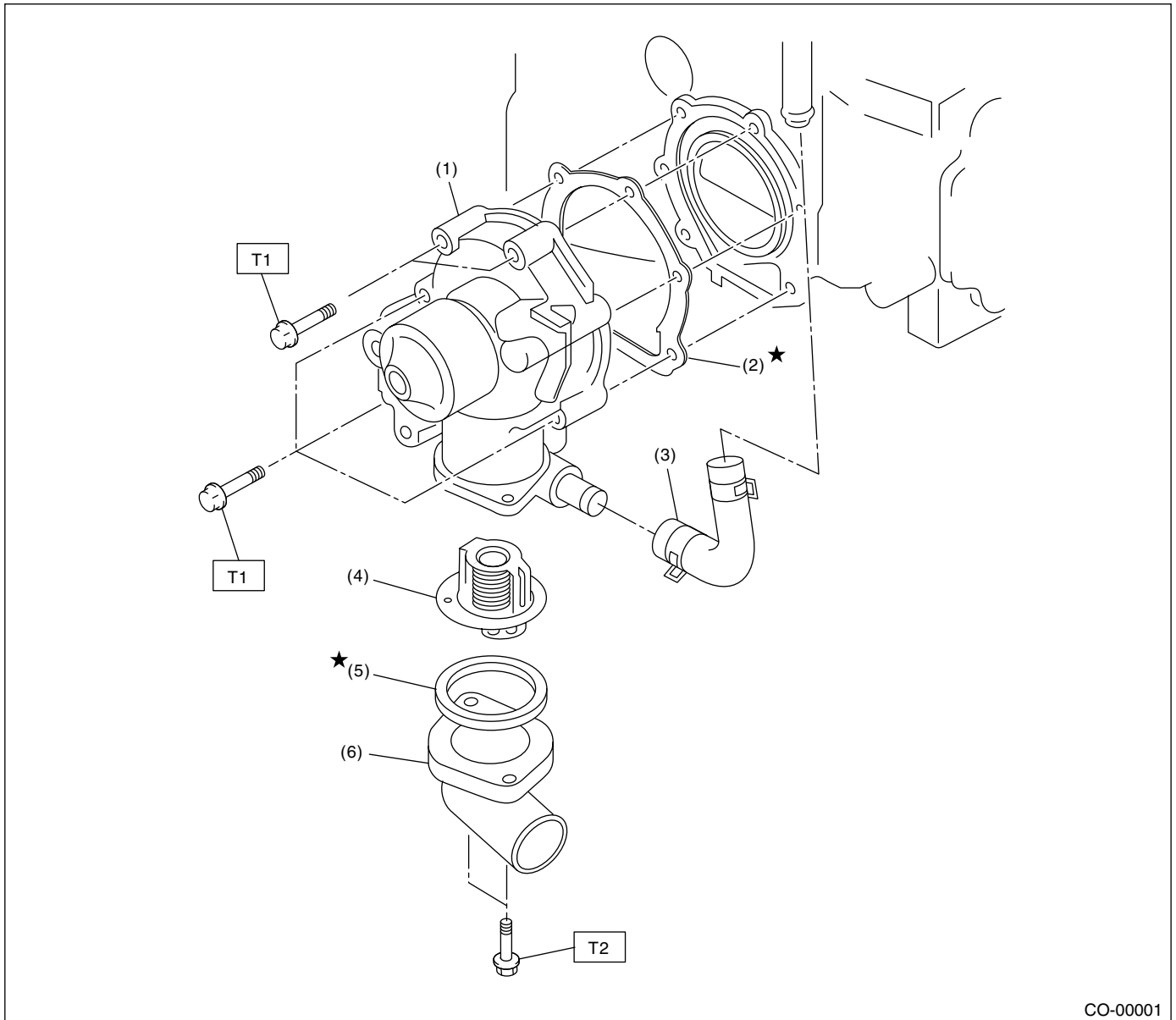
1. General Description

A: SPECIFICATIONS

Cooling system		Electric fan + Forced engine coolant circulation system		
Total engine coolant capacity		1.6 L AT model: Approx. 7.3 (7.71, 6.42) 1.6 L MT model: Approx. 7.4 (7.82, 6.51) 2.0 L and 2.5 L AT model: Approx. 6.9 (7.29, 6.07) 2.0 L and 2.5 L MT model: Approx. 7.0 (7.4, 6.2)		
		ℓ (US qt, Imp qt)		
Water pump	Type		Centrifugal impeller type	
	Discharge performance I	Discharge	20 ℓ (5.3 US gal, 4.4 Imp gal)/min.	
		Pump speed—Discharge pressure	760 rpm — 2.9 kPa (0.3 mAq)	
		Engine coolant temperature	85°C (185°F)	
	Discharge performance II	Discharge	100 ℓ (26.4 US gal, 22.0 Imp gal)/min.	
		Pump speed—Discharge pressure	3,000 rpm — 49.0 kPa (5.0 mAq)	
		Engine coolant temperature	85°C (185°F)	
	Discharge performance III	Discharge	200 ℓ (52.8 US gal, 44.0 Imp gal)/min.	
		Pump speed—Discharge pressure	6,000 rpm — 225.4 kPa (23.0 mAq)	
		Engine coolant temperature	85°C (185°F)	
	Impeller diameter		76 mm (2.99 in)	
	Number of impeller vanes		8	
	Pump pulley diameter		60 mm (2.36 in)	
Clearance between impeller and case	Standard	0.5 — 0.7 mm (0.020 — 0.028 in)		
	Limit	1.0 mm (0.039 in)		
“Thrust” runout of impeller end		0.5 mm (0.020 in)		
Thermostat	Type		Wax pellet type	
	Starts to open		Model with OBD: 80 — 84°C (176 — 183°F) Model without OBD: 76 — 80°C (169 — 176°F)	
	Fully opened		Model with OBD: 95°C (203°F) Model without OBD: 91°C (196°F)	
	Valve lift		9.0 mm (0.354 in) or more	
	Valve bore		35 mm (1.38 in)	
Radiator fan	Motor	Main fan	70 W	
		Sub fan	70 W	
Fan diameter × Blade		320 mm (11.81 in) × 5 (main fan) 320 mm (11.81 in) × 7 (sub fan)		
Radiator	Type		Down flow, pressure type	
	Core dimensions	Width × Height × Thickness	691.5 × 340 × 16 mm (27.22 × 13.39 × 0.63 in)	
	Pressure range in which cap valve is open		Above: 108±15 kPa (1.1±0.15 kg/cm ² , 16±2 psi) Below: -1.0 to -4.9 kPa (-0.01 to -0.05 kg/cm ² , -0.1 to -0.7 psi)	
	Fins		Corrugated fin type	
Reservoir tank	Capacity		0.5 ℓ (0.5 US qt, 0.4 Imp qt)	

B: COMPONENT

1. WATER PUMP



- (1) Water pump ASSY
- (2) Gasket
- (3) Heater by-pass hose
- (4) Thermostat

- (5) Gasket
- (6) Thermostat cover

Tightening torque: N·m (kgf·m, ft·lb)

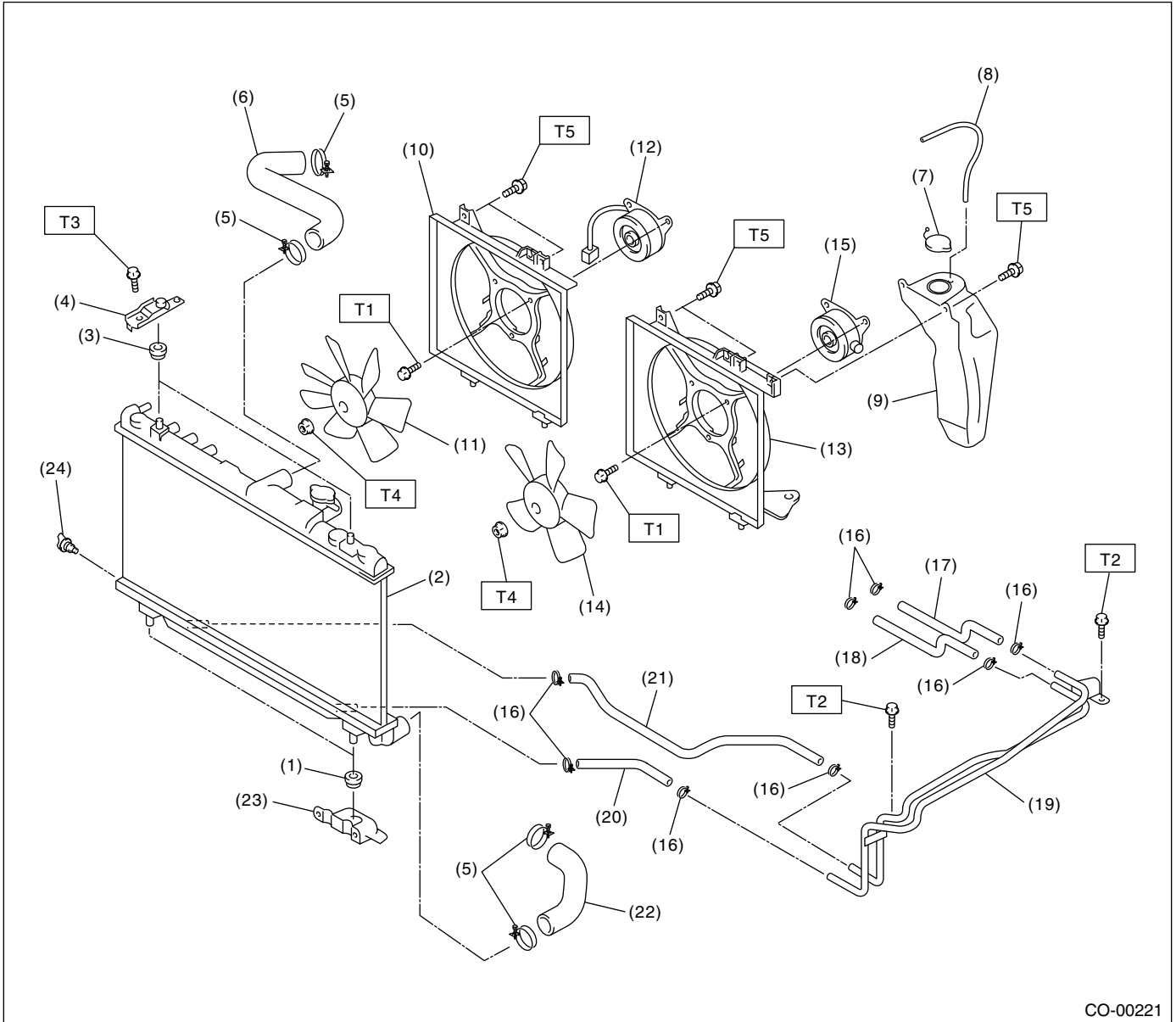
**T1: First 12 (1.2, 8.7)
Second 12 (1.2, 8.7)**

T2: 6.5 (0.66, 4.8)

General Description

COOLING

2. RADIATOR AND RADIATOR FAN



CO-00221

- | | | |
|---------------------------------------|-----------------------------------|-----------------------------|
| (1) Radiator lower cushion | (12) Radiator sub fan motor | (23) Radiator lower bracket |
| (2) Radiator | (13) Radiator main fan shroud | (24) Radiator drain plug |
| (3) Radiator upper cushion | (14) Radiator main fan | |
| (4) Radiator upper bracket | (15) Radiator main fan motor | |
| (5) Clamp | (16) ATF hose clamp (AT model) | |
| (6) Radiator inlet hose | (17) ATF inlet hose A (AT model) | |
| (7) Engine coolant reservoir tank cap | (18) ATF outlet hose A (AT model) | |
| (8) Overflow hose | (19) ATF pipe (AT model) | |
| (9) Engine coolant reservoir tank | (20) ATF inlet hose B (AT model) | |
| (10) Radiator sub fan shroud | (21) ATF outlet hose B (AT model) | |
| (11) Radiator sub fan | (22) Radiator outlet hose | |

Tightening torque: N-m (kgf-m, ft-lb)

T1: 4.4 (0.45, 3.3)

T2: 12 (1.2, 8.7)

T3: 18 (1.8, 13.0)

T4: 3.4 (0.35, 2.5)

T5: 4.9 (0.50, 3.6)

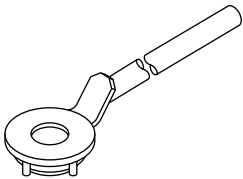
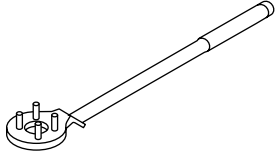
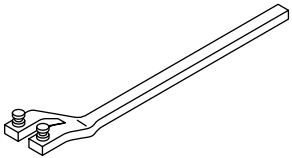
C: CAUTION

- Wear working clothing, including a cap, protective goggles, and protective shoes during operation.
- Remove contamination including dirt and corrosion before removal, installation or disassembly.
- Keep the disassembled parts in order and protect them from dust or dirt.
- Before removal, installation or disassembly, be sure to clarify the failure. Avoid unnecessary removal, installation, disassembly, and replacement.

- Be careful not to burn your hands, because each part in the vehicle is hot after running.
- Be sure to tighten fasteners including bolts and nuts to the specified torque.
- Place shop jacks or rigid racks at the specified points.
- Before disconnecting electrical connectors of sensors or units, be sure to disconnect the ground cable from battery.

D: PREPARATION TOOL

1. SPECIAL TOOLS

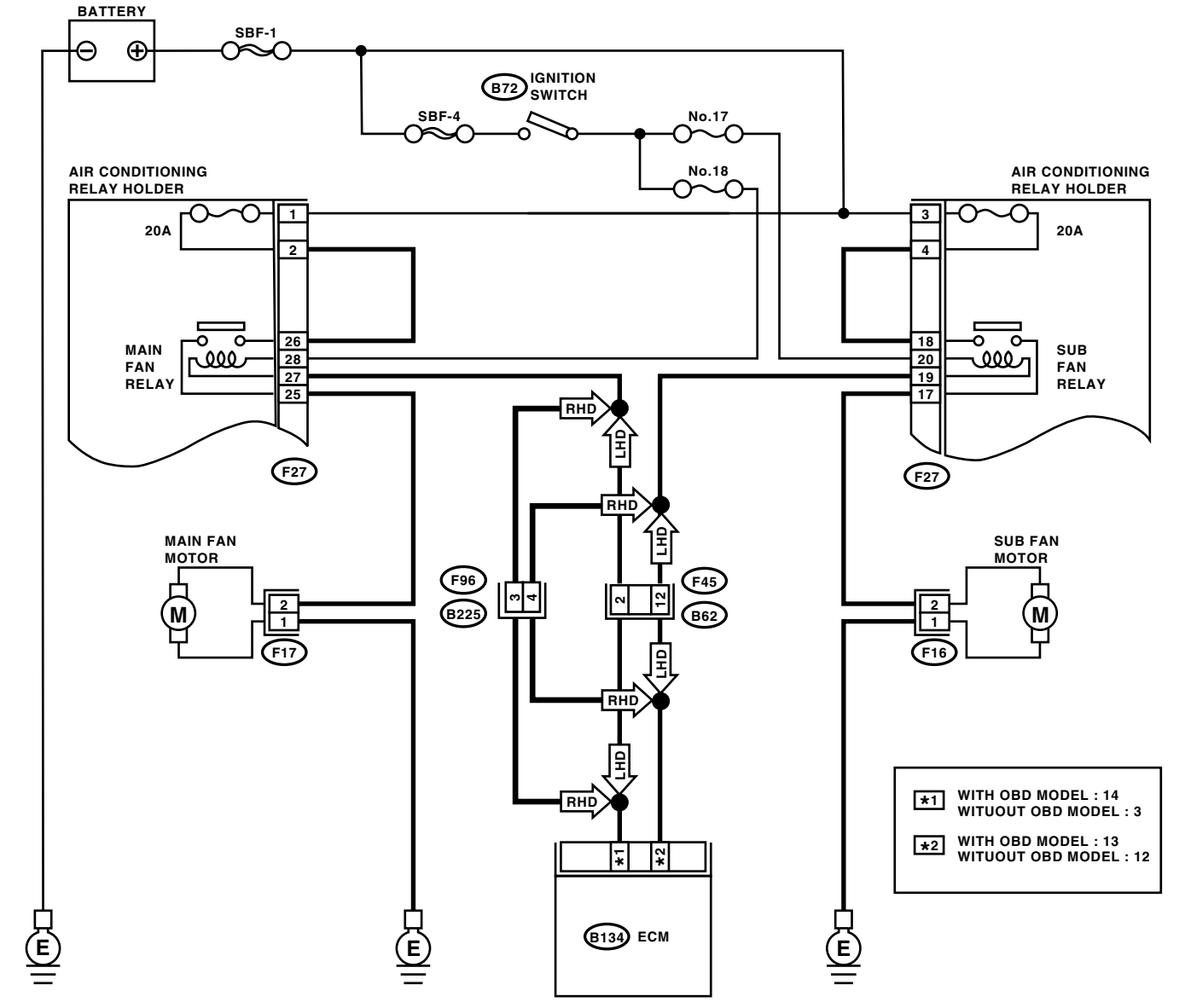
ILLUSTRATION	TOOL NUMBER	DESCRIPTION	REMARKS
 ST-499977400	499977400	CRANK PULLEY WRENCH	Used for stopping crankshaft pulley when loosening and tightening crankshaft pulley bolts. (1.6 L and 2.0 L model)
 ST-499977100	499977100	CRANK PULLEY WRENCH	Used for stopping rotation of crankshaft pulley when loosening and tightening crankshaft pulley bolt. (2.5 L model)
 ST18231AA010	18231AA010	CAMSHAFT SPROCKET WRENCH	<ul style="list-style-type: none"> • Used for removing and installing camshaft sprocket. • Also the CAMSHAFT SPROCKET WRENCH (499207100) can be used.

Radiator Main Fan System

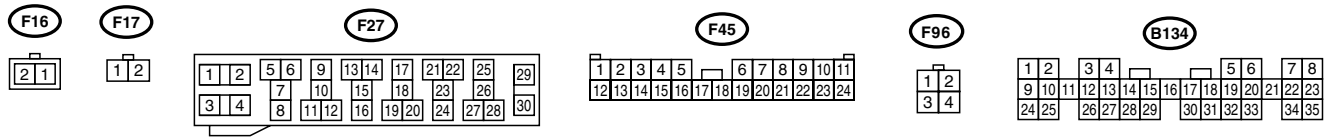
COOLING

2. Radiator Main Fan System

A: WIRING DIAGRAM



*1 WITH OBD MODEL : 14
 WITUOUT OBD MODEL : 3
 *2 WITH OBD MODEL : 13
 WITUOUT OBD MODEL : 12



CO-00222

B: INSPECTION

DETECTING CONDITION:

- Engine coolant temperature is above 96°C (205°F).
- Vehicle speed is below 19 km/h (12 MPH).

TROUBLE SYMPTOM:

Radiator main fan does not rotate under the above conditions.

Step	Check	Yes	No
<p>1 CHECK POWER SUPPLY TO MAIN FAN MOTOR.</p> <p>CAUTION: Be careful not to overheat the engine during repair.</p> <p>1) Turn the ignition switch to OFF. 2) Disconnect the connector from main fan motor. 3) Start the engine, and warm it up until engine coolant temperature increases over 96°C (205°F). 4) Stop the engine and turn ignition switch to ON. 5) Measure the voltage between main fan motor connector and chassis ground.</p> <p>Connector & terminal (F17) No. 2 (+) — Chassis ground (-):</p>	Is the voltage more than 10 V?	Go to step 2.	Go to step 5.
<p>2 CHECK GROUND CIRCUIT OF MAIN FAN MOTOR.</p> <p>1) Turn the ignition switch to OFF. 2) Measure the resistance between main fan motor connector and chassis ground.</p> <p>Connector & terminal (F17) No. 1 — Chassis ground:</p>	Is the resistance less than 5 Ω?	Go to step 3.	Repair the open circuit in harness between main fan motor connector and chassis ground.
<p>3 CHECK POOR CONTACT.</p> <p>Check poor contact in main fan motor connector.</p>	Is there poor contact in main fan motor connector?	Repair the poor contact in main fan motor connector.	Go to step 4.
<p>4 CHECK MAIN FAN MOTOR.</p> <p>Connect the battery positive (+) terminal to terminal No. 2, and ground (-) terminal to terminal No. 1 of main fan motor connector.</p>	Does the main fan rotate?	Repair the poor contact in main fan motor connector.	Replace the main fan motor with a new one.
<p>5 CHECK POWER SUPPLY TO MAIN FAN RELAY.</p> <p>1) Turn the ignition switch to OFF. 2) Remove the main fan relay from A/C relay holder. 3) Measure the voltage between main fan relay terminal and chassis ground.</p> <p>Connector & terminal (F27) No. 26 (+) — Chassis ground (-):</p>	Is the voltage more than 10 V?	Go to step 6.	Go to step 7.
<p>6 CHECK POWER SUPPLY TO MAIN FAN RELAY.</p> <p>1) Turn the ignition switch to ON. 2) Measure the voltage between main fan relay terminal and chassis ground.</p> <p>Connector & terminal (F27) No. 28 (+) — Chassis ground (-):</p>	Is the voltage more than 10 V?	Go to step 10.	Go to step 9.
<p>7 CHECK 20 A FUSE.</p> <p>1) Remove the 20 A fuse from A/C relay holder. 2) Check the condition of fuse.</p>	Is the fuse blown out?	Replace the fuse.	Go to step 8.

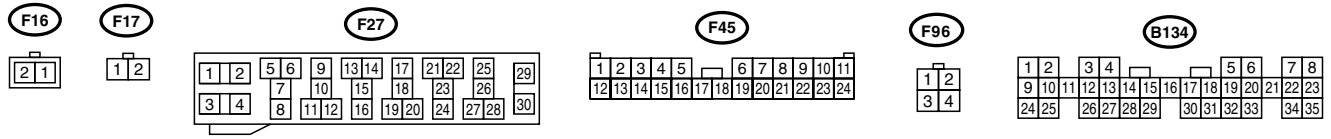
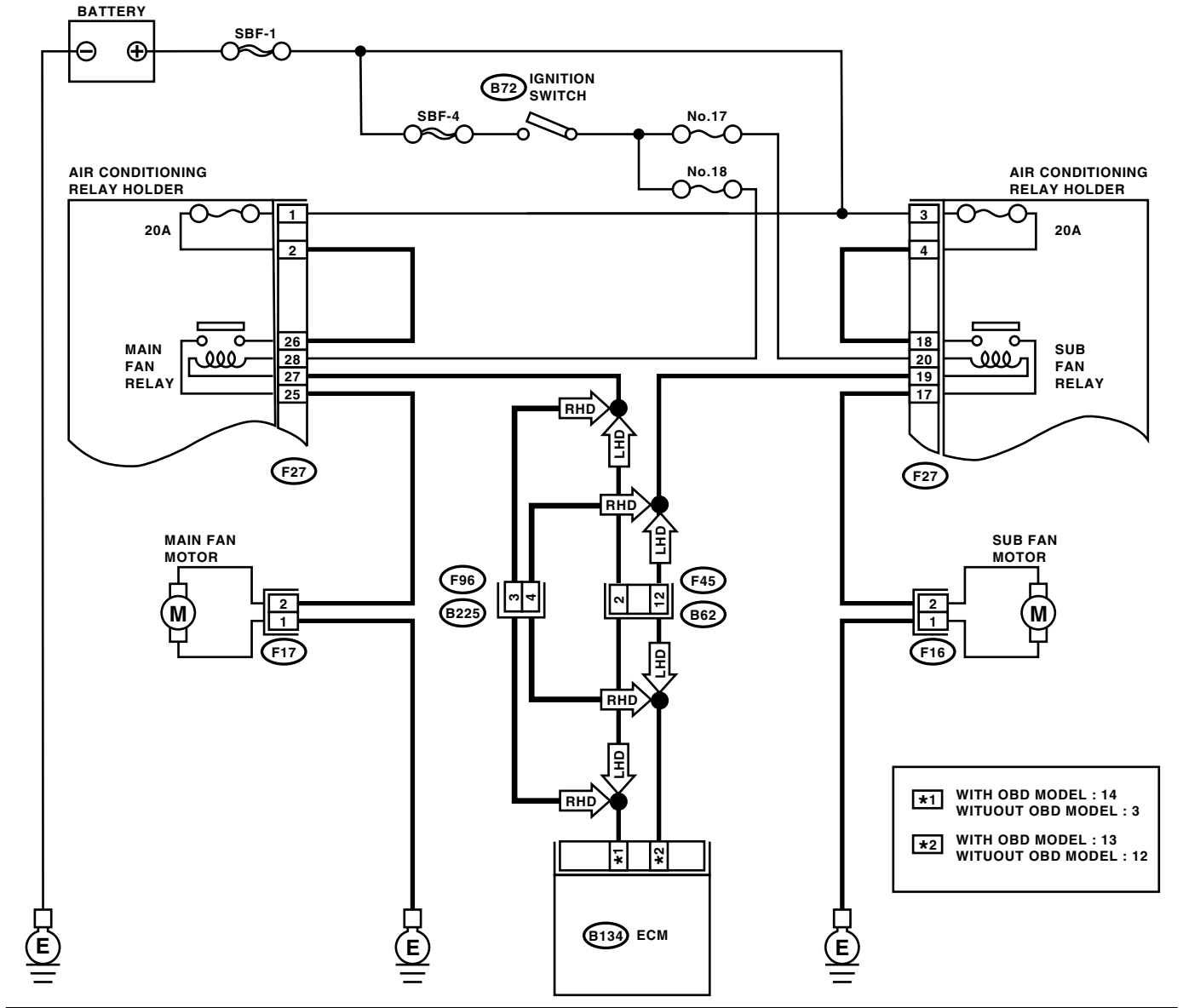
Radiator Main Fan System

COOLING

Step	Check	Yes	No
8 CHECK POWER SUPPLY TO A/C RELAY HOLDER 20 A FUSE TERMINAL. Measure the voltage of harness between A/C relay holder 20 A fuse terminal and chassis ground. <i>Connector & terminal</i> <i>(F27) No. 1 (+) — Chassis ground (-):</i>	Is the voltage more than 10 V?	Repair the open circuit in harness between 20 A fuse and main fan relay terminal.	Repair the open circuit in harness between main fuse box connector and 20 A fuse terminal.
9 CHECK FUSE. 1)Turn the ignition switch to OFF. 2)Remove the fuse No. 18 from joint box. 3)Check the condition of fuse.	Is the fuse blown out?	Replace the fuse.	Repair the open circuit in harness between main fan relay and ignition switch.
10 CHECK MAIN FAN RELAY. 1)Turn the ignition switch to OFF. 2)Remove the main fan relay. 3)Measure the resistance of main fan relay. <i>Terminal</i> <i>No. 26 — No. 25:</i>	Is the resistance more than 1 MΩ?	Go to step 11.	Replace the main fan relay.
11 CHECK MAIN FAN RELAY. 1)Connect the battery to terminals No. 27 and No. 28 of main fan relay. 2)Measure the resistance of main fan relay. <i>Terminal</i> <i>No. 26 — No. 25:</i>	Is the resistance less than 1 Ω?	Go to step 12.	Replace the main fan relay.
12 CHECK HARNESS BETWEEN MAIN FAN RELAY TERMINAL AND MAIN FAN MOTOR CONNECTOR. Measure the resistance of harness between main fan motor connector and main fan relay terminal. <i>Connector & terminal</i> <i>(F17) No. 2 — (F27) No. 25:</i>	Is the resistance less than 1 Ω?	Go to step 13.	Repair the open circuit in harness between main fan motor connector and main fan relay terminal.
13 CHECK HARNESS BETWEEN MAIN FAN RELAY AND ECM. 1)Turn the ignition switch to OFF. 2)Disconnect the connector from ECM. 3)Measure the resistance of harness between main fan relay connector and ECM connector. <i>Connector & terminal</i> <i>With OBD:</i> <i>(F27) No. 27 — (B134) No. 14:</i> <i>Without OBD:</i> <i>(F27) No. 27 — (B134) No. 3:</i>	Is the resistance less than 1 Ω?	Go to step 14.	Repair the open circuit in harness between main fan relay and ECM.
14 CHECK POOR CONTACT. Check poor contact in connector between main fan and ECM.	Is there poor contact in connector between main fan motor and ECM?	Repair the poor contact connector.	Verify the DTC. Repair the trouble cause. <Ref. to EN(H4SO)(diag)-39, Read Diagnostic Trouble Code (DTC).>, <Ref. to EN(H4SOw/oOBD)(diag)-24, Read Diagnostic Trouble Code (DTC).>

3. Radiator Sub Fan System

A: WIRING DIAGRAM



Radiator Sub Fan System

COOLING

B: INSPECTION

NOTE:

System for A/C equipped models only.

DETECTING CONDITION:

Condition (1):

- Engine coolant temperature is below 95°C (203°F).
- A/C switch is turned ON.
- Vehicle speed is below 19 km/h (12 MPH).

Condition (2):

- Engine coolant temperature is above 100°C (212°F).
- A/C switch is turned OFF.
- Vehicle speed is below 19 km/h (12 MPH).

TROUBLE SYMPTOM:

Radiator sub fan does not rotate under conditions (1) and (2) above.

Step	Check	Yes	No
1 CHECK POWER SUPPLY TO SUB FAN MOTOR. CAUTION: Be careful not to overheat the engine during repair. 1) Turn the ignition switch to OFF. 2) Disconnect the connector from sub fan motor and main fan motor. 3) Start the engine, and warm it up until engine coolant temperature increases over 100°C (212°F). 4) Stop the engine and turn ignition switch to ON. 5) Measure the voltage between sub fan motor connector and chassis ground. Connector & terminal (F16) No. 2 (+) — Chassis ground (-):	Is the voltage more than 10 V?	Go to step 2.	Go to step 5.
2 CHECK GROUND CIRCUIT OF SUB FAN MOTOR. 1) Turn the ignition switch to OFF. 2) Measure the resistance between sub fan motor connector and chassis ground. Connector & terminal (F16) No. 1 — Chassis ground:	Is the resistance less than 5 Ω?	Go to step 3.	Repair the open circuit in harness between sub fan motor connector and chassis ground.
3 CHECK POOR CONTACT. Check poor contact in sub fan motor connector.	Is there poor contact in sub fan motor connector?	Repair the poor contact in sub fan motor connector.	Go to step 4.
4 CHECK SUB FAN MOTOR. Connect the battery positive (+) terminal to terminal No. 2, and ground (-) terminal to terminal No. 1 of sub fan motor connector.	Does the sub fan rotate?	Repair the poor contact in sub fan motor connector.	Replace the sub fan motor with a new one.
5 CHECK POWER SUPPLY TO SUB FAN RELAY. 1) Turn the ignition switch to OFF. 2) Remove the sub fan relay from A/C relay holder. 3) Measure the voltage between sub fan relay terminal and chassis ground. Connector & terminal (F27) No. 18 (+) — Chassis ground (-):	Is the voltage more than 10 V?	Go to step 6.	Go to step 7.

Radiator Sub Fan System

COOLING

Step	Check	Yes	No
6 CHECK POWER SUPPLY TO SUB FAN RELAY. 1) Turn the ignition switch to ON. 2) Measure the voltage between sub fan relay terminal and chassis ground. <i>Connector & terminal</i> <i>(F27) No. 20 (+) — Chassis ground (-):</i>	Is the voltage more than 10 V?	Go to step 10.	Go to step 9.
7 CHECK 20 A FUSE. 1) Remove the 20 A fuse from A/C relay holder. 2) Check the condition of fuse.	Is the fuse blown out?	Replace the fuse.	Go to step 8.
8 CHECK POWER SUPPLY TO A/C RELAY HOLDER 20 A FUSE TERMINAL. Measure the voltage of harness between A/C relay holder 20 A fuse terminal and chassis ground. <i>Connector & terminal</i> <i>(F27) No. 3 (+) — Chassis ground (-):</i>	Is the voltage more than 10 V?	Repair the open circuit in harness between 20 A fuse and sub fan relay terminal.	Repair the open circuit in harness between main fuse box connector and 20 A fuse terminal.
9 CHECK FUSE. 1) Turn the ignition switch to OFF. 2) Remove the fuse No. 17 from joint box. 3) Check the condition of fuse.	Is the fuse blown out?	Replace the fuse.	Repair the open circuit in harness between sub fan relay and ignition switch.
10 CHECK SUB FAN RELAY. 1) Turn the ignition switch to OFF. 2) Measure the resistance of sub fan relay. <i>Terminals</i> <i>No. 17 — No. 18:</i>	Is the resistance more than 1 M Ω ?	Go to step 11.	Replace the sub fan relay.
11 CHECK SUB FAN RELAY. 1) Connect the battery to terminals No. 20 and No. 19 of sub fan relay. 2) Measure the resistance of sub fan relay. <i>Terminals</i> <i>No. 17 — No. 18:</i>	Is the resistance less than 1 Ω ?	Go to step 12.	Replace the sub fan relay.
12 CHECK HARNESS BETWEEN SUB FAN RELAY TERMINAL AND SUB FAN MOTOR CONNECTOR. Measure the resistance of harness between sub fan motor connector and sub fan relay terminal. <i>Connector & terminal</i> <i>(F16) No. 2 — (F27) No. 17:</i>	Is the resistance less than 1 Ω ?	Go to step 13.	Repair the open circuit in harness between sub fan motor and sub fan relay connector.
13 CHECK HARNESS BETWEEN SUB FAN RELAY AND ECM. 1) Turn the ignition switch to OFF. 2) Disconnect the connector from ECM. 3) Measure the resistance of harness between sub fan relay connector and ECM connector. <i>Connector & terminal</i> <i>With OBD:</i> <i>(F27) No. 19 — (B134) No. 13:</i> <i>Without OBD:</i> <i>(F27) No. 19 — (B134) No. 12:</i>	Is the resistance less than 1 Ω ?	Go to step 14.	Repair the open circuit in harness between sub fan relay and ECM.

Radiator Sub Fan System

COOLING

Step	Check	Yes	No
14 CHECK POOR CONTACT. Check poor contact in connector between sub fan and ECM.	Is there poor contact in connector between sub fan motor and ECM?	Repair the poor contact connector.	Verify the DTC. Repair the trouble cause. <Ref. to EN(H4SO)(diag)-39, Read Diagnostic Trouble Code (DTC).>, <Ref. to EN(H4SOw/oOBD)(diag)-24, Read Diagnostic Trouble Code (DTC).>

4. Engine Coolant

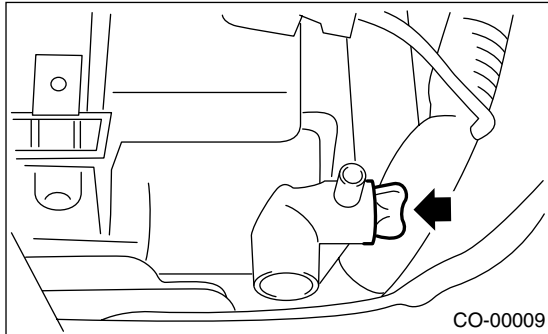
A: REPLACEMENT

1. DRAINING OF ENGINE COOLANT

- 1) Lift-up the vehicle.
- 2) Remove the under cover.
- 3) Remove the drain plug to drain engine coolant into container.

NOTE:

Remove the radiator cap so that engine coolant will drain faster.



- 4) Install the drain plug.

2. FILLING OF ENGINE COOLANT

- 1) Fill engine coolant into the radiator up to filler neck position.

Coolant capacity (fill up to "FULL" level):

1.6 L AT model:

Approx. 7.3 ℓ (7.71 US qt, 6.42 Imp qt)

1.6 L MT model:

Approx. 7.4 ℓ (7.82 US qt, 6.51 Imp qt)

2.0 L and 2.5 L AT model:

Approx. 6.9 ℓ (7.29 US qt, 6.07 Imp qt)

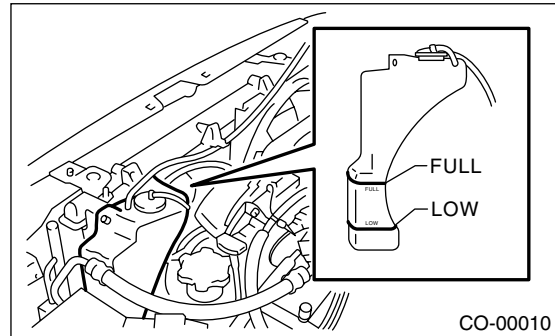
2.0 L and 2.5 L MT model:

Approx. 7.0 ℓ (7.4 US qt, 6.2 Imp qt)

NOTE:

The SUBARU Genuine Coolant containing anti-freeze and anti-rust agents is especially made for SUBARU engine, which has an aluminum crank-case. Always use SUBARU Genuine Coolant, since other coolant may cause corrosion.

- 2) Fill engine coolant into the reservoir tank up to Full level.



- 3) Warm-up the engine completely for more than 5 minutes at 2,000 to 3,000 rpm.
- 4) If the engine coolant level drops in radiator, add engine coolant to filler neck position.
- 5) If the engine coolant level drops from Full level of reservoir tank, add engine coolant to Full level.
- 6) Attach the radiator cap and reservoir tank cap properly.

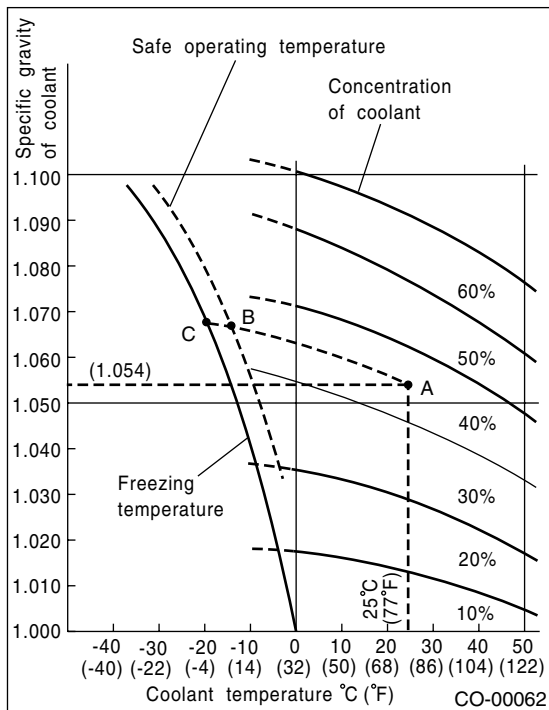
B: INSPECTION

1. RELATIONSHIP OF SUBARU COOLANT CONCENTRATION AND FREEZING TEMPERATURE

The concentration and safe operating temperature of the SUBARU coolant is shown in the diagram. Measuring the temperature and specific gravity of the coolant will provide this information.

[Example]

If the coolant temperature is 25°C (77°F) and its specific gravity is 1.054, the concentration is 35% (point A), the safe operating temperature is -14°C (7°F) (point B), and the freezing temperature is -20°C (-4°F) (point C).



2. PROCEDURE TO ADJUST THE CONCENTRATION OF THE COOLANT

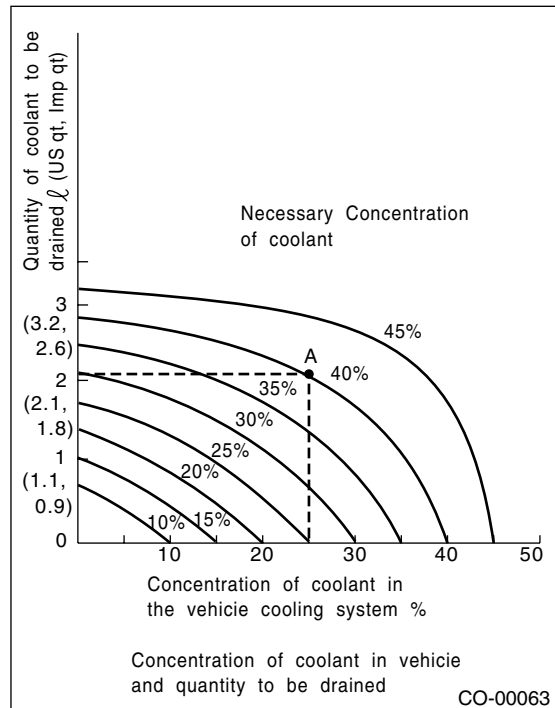
To adjust the concentration of the coolant according to temperature, find the proper fluid concentration in the above diagram and replace the necessary amount of coolant with an undiluted solution of SUBARU genuine coolant (concentration 50%).

The amount of coolant that should be replaced can be determined using the diagram.

[Example]

Assume that the coolant concentration must be increased from 25% to 40%. Find point A, where the 25% line of coolant concentration intersects with the 40% curve of the necessary coolant concentration, and read the scale on the vertical axis of the graph at height A. The quantity of coolant to be drained is 2.1 ℓ (2.2 US qt, 1.8 Imp qt). Drain 2.1 ℓ (2.2 US qt, 1.8 Imp qt) of coolant from the cooling system and add 2.1 ℓ (2.2 US qt, 1.8 Imp qt) of the undiluted solution of SUBARU coolant.

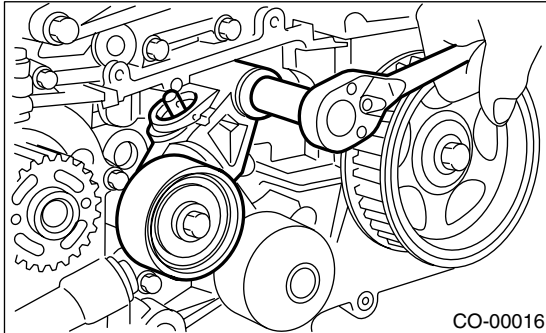
If a coolant concentration of 50% is needed, drain all the coolant and refill with the undiluted solution only.



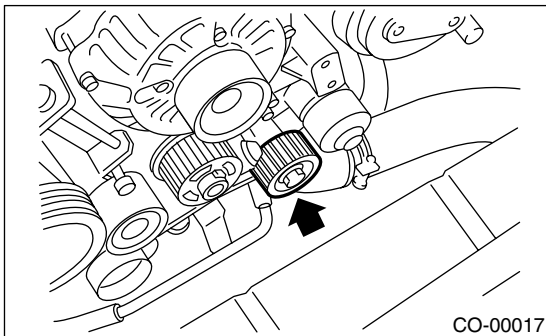
5. Water Pump

A: REMOVAL

- 1) Remove the radiator. <Ref. to CO(H4SO)-19, REMOVAL, Radiator.>
- 2) Remove the V-belts.
<Ref. to ME(H4SO)-43, REMOVAL, V-belt.>
- 3) Remove the timing belt.
<Ref. to ME(H4SO)-48, TIMING BELT, REMOVAL, Timing Belt Assembly.>
- 4) Remove the automatic belt tension adjuster.

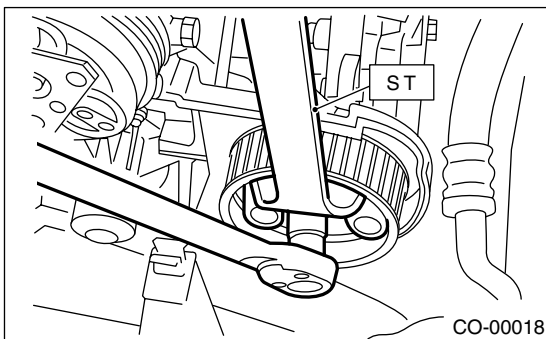


- 5) Remove the belt idler No. 2.

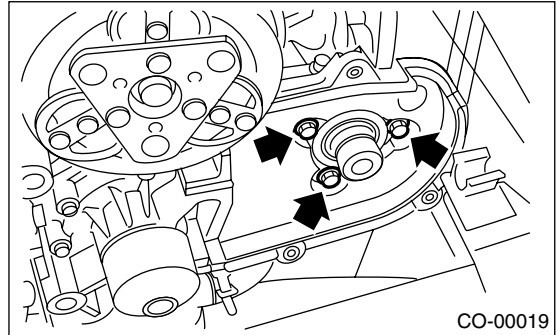


- 6) Remove the camshaft sprocket (LH) by using ST.
ST 18231AA010 CAMSHAFT SPROCKET WRENCH

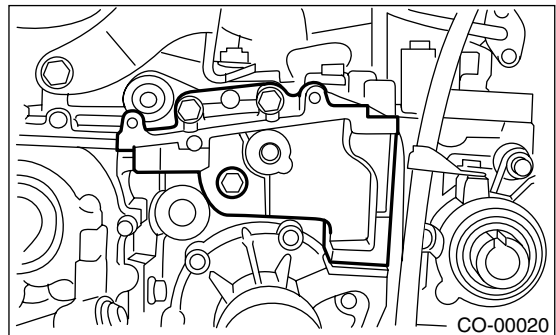
NOTE:
Also the CAMSHAFT SPROCKET WRENCH (499207100) can be used.



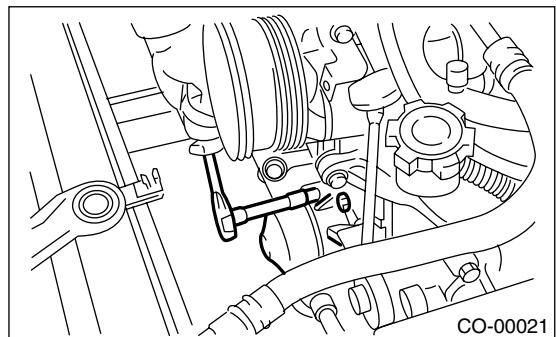
- 7) Remove the belt cover No. 2 (LH).



- 8) Remove the tensioner bracket.



- 9) Disconnect the hose from water pump.
- 10) Remove the water pump.



B: INSTALLATION

- 1) Install the water pump onto cylinder block (LH).

NOTE:

- Replace the gasket with a new one.
- When installing the water pump, tighten the bolts in two stages in alphabetical sequence as shown in the figure.

Water Pump

COOLING

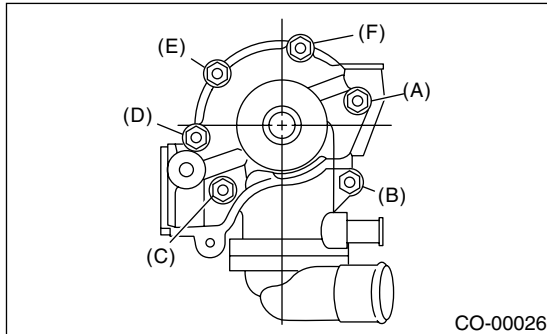
Tightening torque:

First:

12 N·m (1.2 kgf·m, 8.7 ft·lb)

Second:

12 N·m (1.2 kgf·m, 8.7 ft·lb)

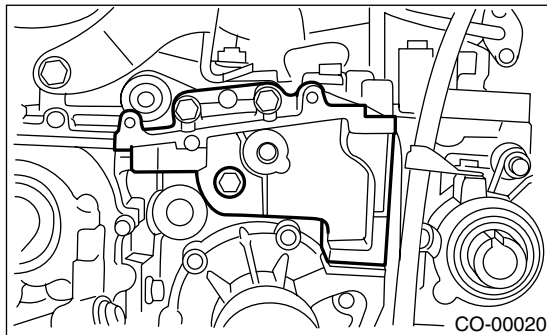


2) Connect the hose to water pump.

3) Install the tensioner bracket.

Tightening torque:

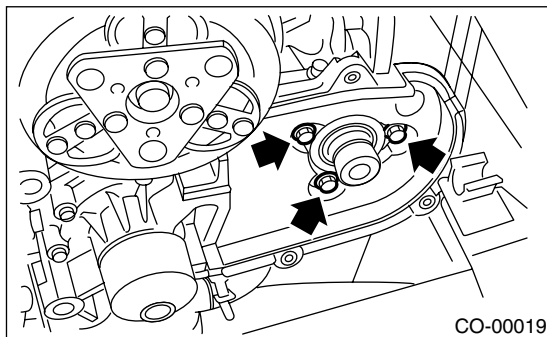
24.5 N·m (2.5 kgf·m, 18.1 ft·lb)



4) Install the belt cover No. 2 (LH).

Tightening torque:

5 N·m (0.5 kgf·m, 3.6 ft·lb)



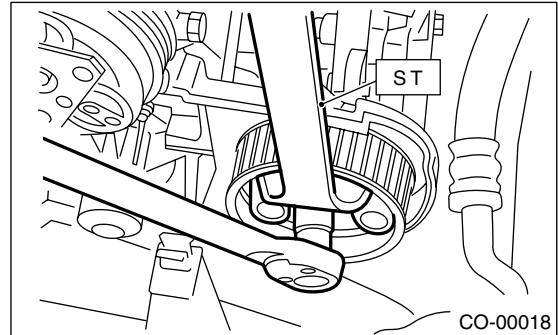
5) Install the camshaft sprockets (LH) by using ST.
ST 18231AA010 CAMSHAFT SPROCKET
WRENCH

NOTE:

Also the CAMSHAFT SPROCKET WRENCH
(499207100) can be used.

Tightening torque:

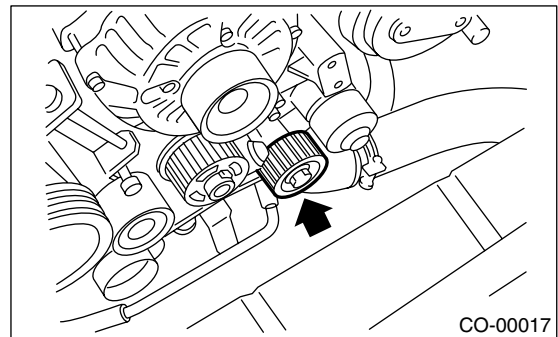
78 N·m (8.0 kgf·m, 57.9 ft·lb)



6) Install the belt idler No. 2.

Tightening torque:

39 N·m (4.0 kgf·m, 28.9 ft·lb)



7) Install the automatic belt tension adjuster whose tension rod is held with pin. <Ref. to ME(H4SO)-49, AUTOMATIC BELT TENSION ADJUSTER ASSEMBLY AND BELT IDLER, INSTALLATION, Timing Belt Assembly.>

8) Install the timing belt. <Ref. to ME(H4SO)-50, TIMING BELT, INSTALLATION, Timing Belt Assembly.>

9) Install the V-belts. <Ref. to ME(H4SO)-43, INSTALLATION, V-belt.>

10) Install the radiator. <Ref. to CO(H4SO)-20, INSTALLATION, Radiator.>

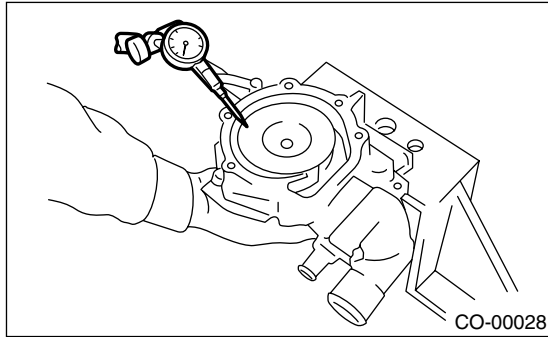
C: INSPECTION

1) Check the water pump bearing for smooth rotation.

2) Check the water pump pulley for abnormalities.

3) Using a dial gauge, measure the impeller runout in thrust direction while rotating the pulley.

“Thrust” runout limit:
0.5 mm (0.020 in)



4) Check the clearance between impeller and pump case.

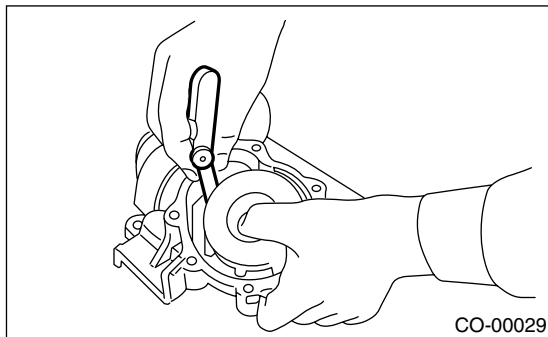
Clearance between impeller and pump case:

Standard

0.5 — 0.7 mm (0.020 — 0.028 in)

Limit

1.0 mm (0.039 in)

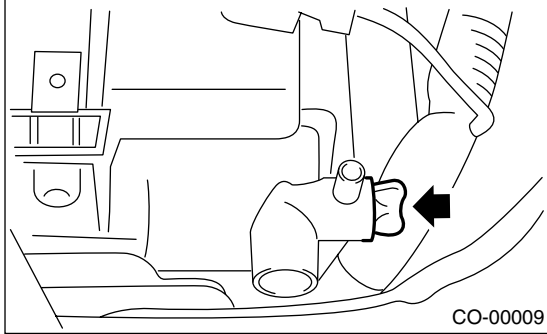


5) After water pump installation, check the pulley shaft for engine coolant leaks. If leaks are noted, replace the water pump assembly.

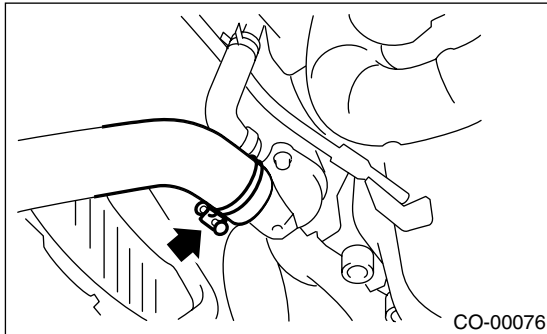
6. Thermostat

A: REMOVAL

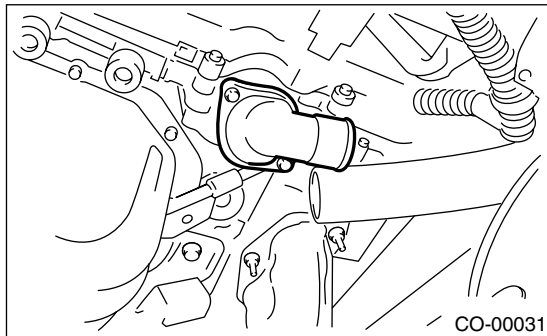
- 1) Set the vehicle on a lift.
- 2) Lift-up the vehicle.
- 3) Remove the under cover.
- 4) Drain the engine coolant completely. <Ref. to CO(H4SO)-13, DRAINING OF ENGINE COOLANT, REPLACEMENT, Engine Coolant.>



- 5) Disconnect the radiator outlet hose from thermostat cover.



- 6) Remove the thermostat cover and gasket, and then pull out the thermostat.



B: INSTALLATION

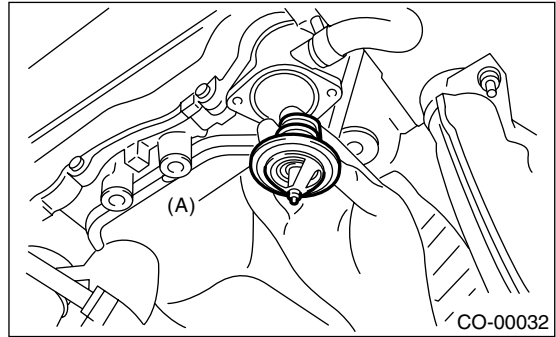
- 1) Install the thermostat in water pump, and then install the thermostat cover together with a gasket.

NOTE:

- When reinstalling the thermostat, use a new gasket.
- The thermostat must be installed with the jiggle pin (A) facing to front side.

Tightening torque:

6.5 N·m (0.65 kgf-m, 4.7 ft-lb)



- 2) Fill engine coolant. <Ref. to CO(H4SO)-13, FILLING OF ENGINE COOLANT, REPLACEMENT, Engine Coolant.>

C: INSPECTION

Replace the thermostat if the valve does not close completely at an ambient temperature or if the following test shows unsatisfactory results.

Immerse the thermostat and thermometer in water. Raise water temperature gradually, and measure the temperature and valve lift when the valve begins to open and when the valve is fully opened. During the test, agitate the water for even temperature distribution. The measurement should be to the specification.

Starts to open:

Model with OBD:

80 — 84°C (176 — 183°F)

Model without OBD:

76 — 80°C (169 — 176°F)

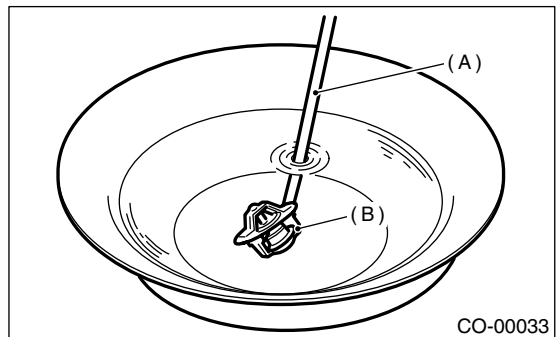
Fully opens:

Model with OBD:

95°C (203°F)

Model without OBD:

91°C (196°F)



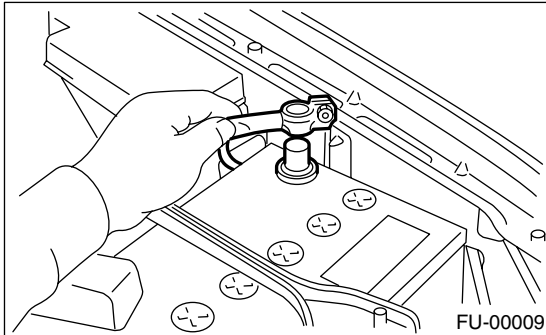
(A) Thermometer

(B) Thermostat

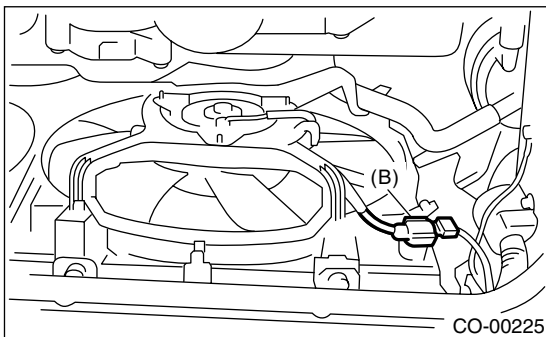
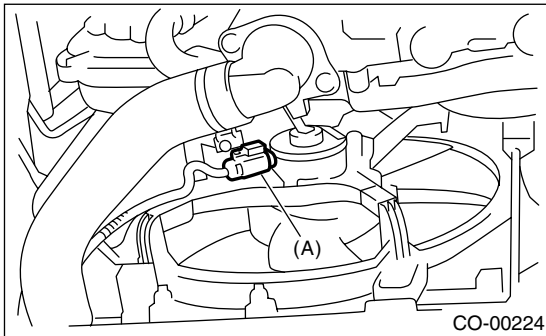
7. Radiator

A: REMOVAL

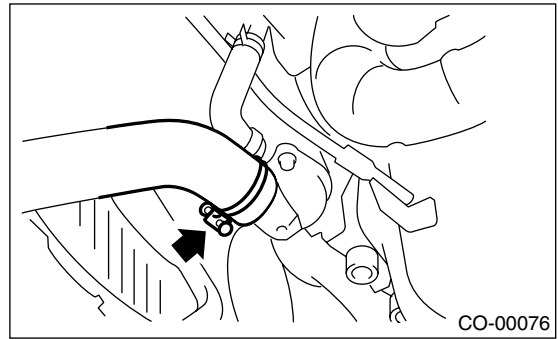
- 1) Set the vehicle on a lift.
- 2) Disconnect the ground cable from battery.



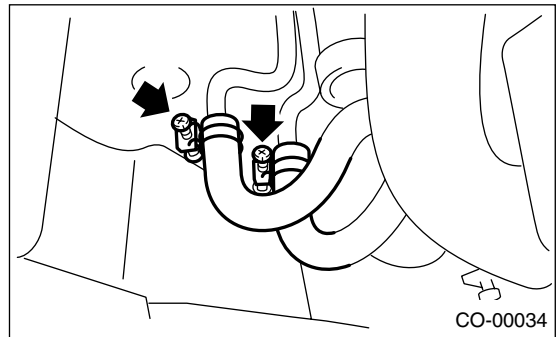
- 3) Lift-up the vehicle.
- 4) Remove the under cover.
- 5) Drain the engine coolant completely. <Ref. to CO(H4SO)-13, DRAINING OF ENGINE COOLANT, REPLACEMENT, Engine Coolant.>
- 6) Disconnect the connectors of radiator main fan motor (A) and sub fan motor (B).



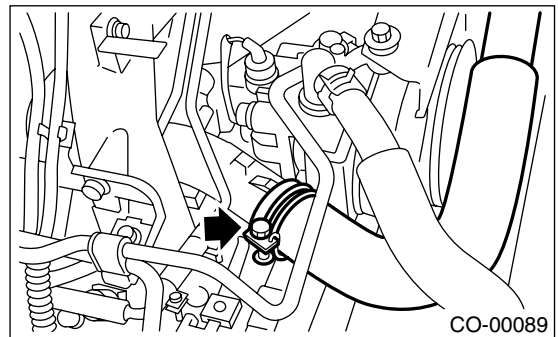
- 7) Disconnect the radiator outlet hose from water pump.



- 8) Disconnect the ATF cooler hoses from ATF pipe. (AT model)
Plug the openings in the hose and radiator with caps in order to prevent ATF from leaking.



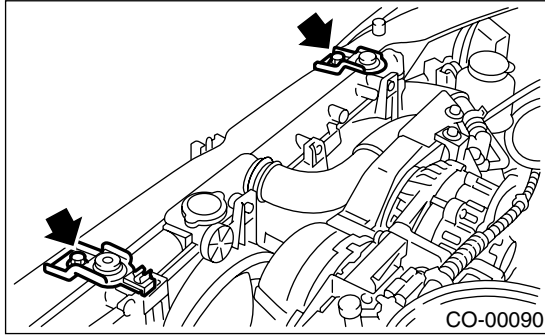
- 9) Lower the vehicle.
- 10) Disconnect the overflow hose.
- 11) Remove the reservoir tank. <Ref. to CO(H4SO)-25, REMOVAL, Reservoir Tank.>
- 12) Remove the air intake duct. (2.5 L model)
- 13) Disconnect the radiator inlet hose from engine.



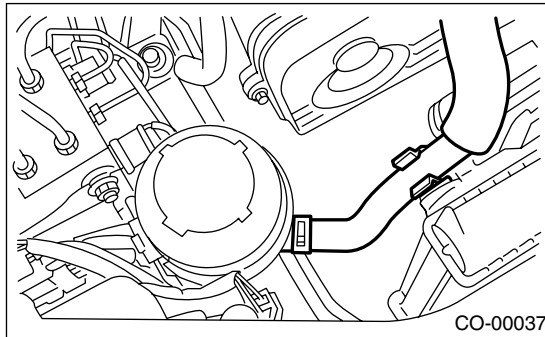
Radiator

COOLING

14) Remove the radiator upper brackets.



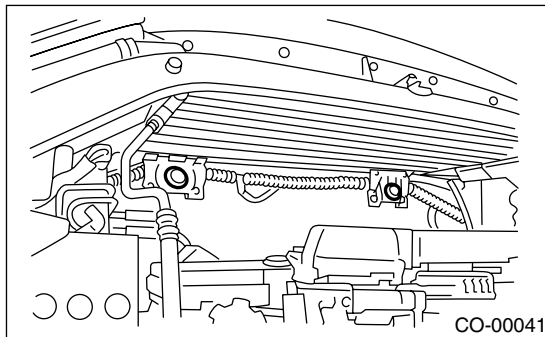
15) Detach the power steering hose from clip on radiator.



16) Lift the radiator up and away from the vehicle.

B: INSTALLATION

1) Attach the radiator lower cushions to holes on the radiator lower bracket.



2) Install the radiator to vehicle.

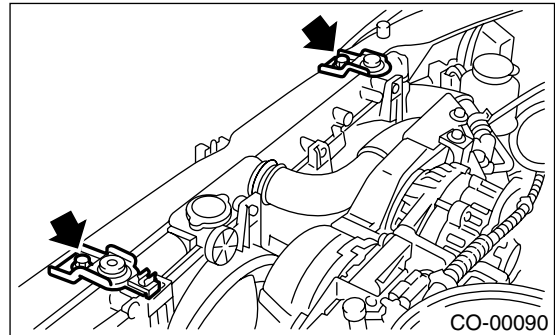
NOTE:

Fit the pins on lower side of radiator into the cushions on the body side.

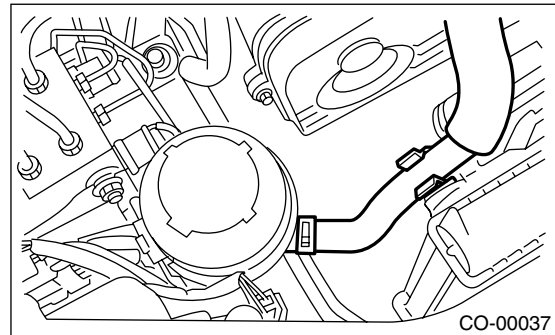
3) Install the radiator upper brackets, and then tighten the bolts.

Tightening torque:

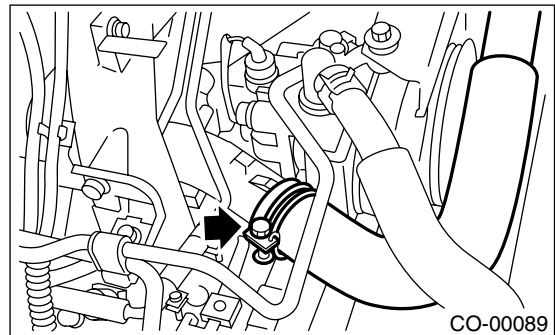
18 N·m (1.8 kgf-m, 13.0 ft-lb)



4) Attach the power steering hose to radiator.



5) Connect the radiator inlet hose.



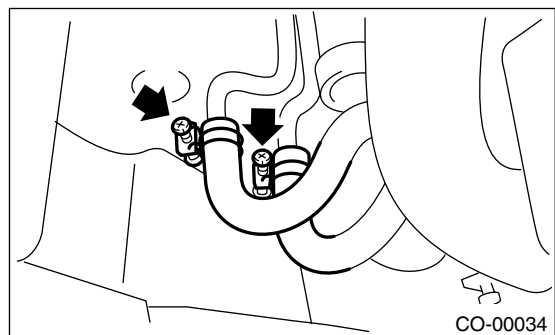
6) Install the air intake duct. (2.5 L model)

7) Install the reservoir tank.

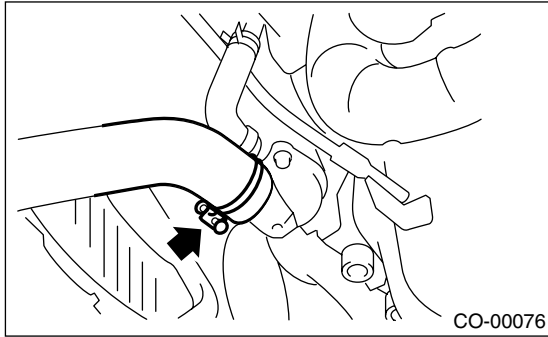
8) Connect the overflow hose.

9) Lift-up the vehicle.

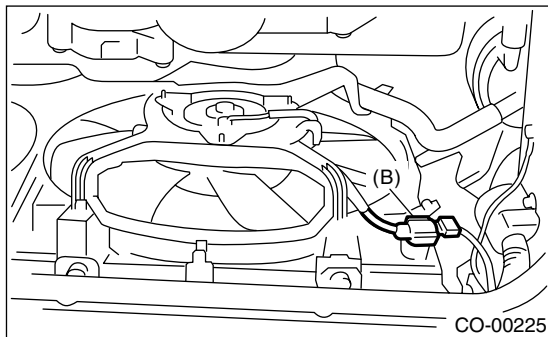
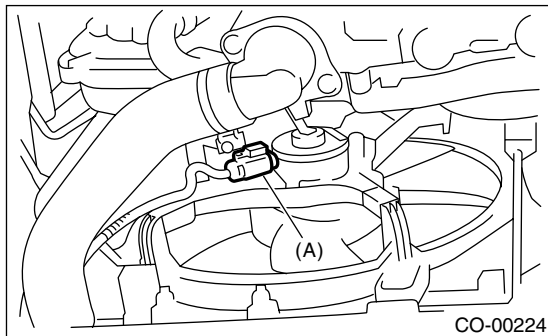
10) Connect the ATF cooler hoses. (AT model)



11) Connect the radiator outlet hose.



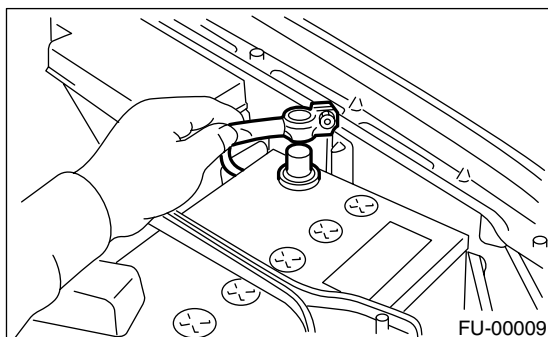
12) Connect the connectors to radiator main fan motor (A) and sub fan motor (B).



13) Install the under cover.

14) Lower the vehicle.

15) Connect the battery ground cable to battery.

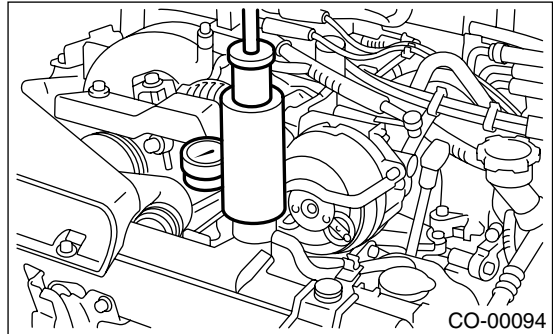


16) Fill engine coolant. <Ref. to CO(H4SO)-13, FILLING OF ENGINE COOLANT, REPLACEMENT, Engine Coolant.>

17) Check the ATF level. <Ref. to 4AT-31, INSPECTION, Automatic Transmission Fluid.>

C: INSPECTION

1) Remove the radiator cap, top off radiator, and then attach the tester to radiator in place of cap.



2) Apply a pressure of 157 kPa (1.6 kg/cm², 23 psi) to the radiator to check if:

- (1) Engine coolant leaks at/around radiator.
- (2) Engine coolant leaks at/around hoses or connections.

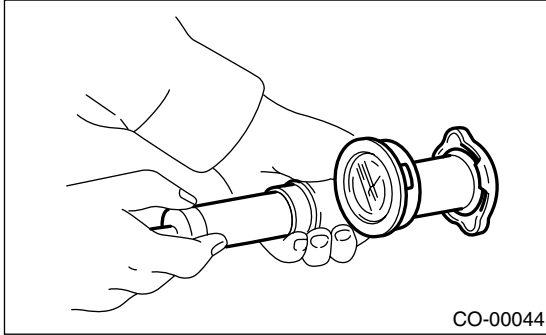
CAUTION:

- Engine should be turned off.
- Wipe engine coolant from check points in advance.
- Be careful to prevent engine coolant from spurting out when removing the tester.
- Be careful also not to deform the filler neck of radiator when installing or removing tester.

8. Radiator Cap

A: INSPECTION

1) Attach the radiator cap to tester.



2) Increase the pressure until tester gauge pointer stops. Radiator cap is functioning properly if it holds the service limit pressure for 5 to 6 seconds.

Standard pressure:

93 — 123 kPa (0.95 — 1.25 kg/cm², 14 — 18 psi)

Service limit pressure:

83 kPa (0.85 kg/cm², 12 psi)

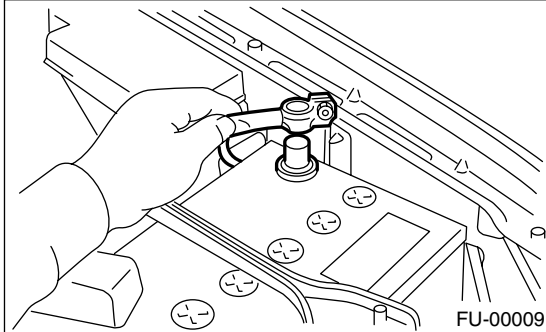
CAUTION:

Be sure to remove foreign matter and rust from the cap in advance otherwise, results of pressure test will be incorrect.

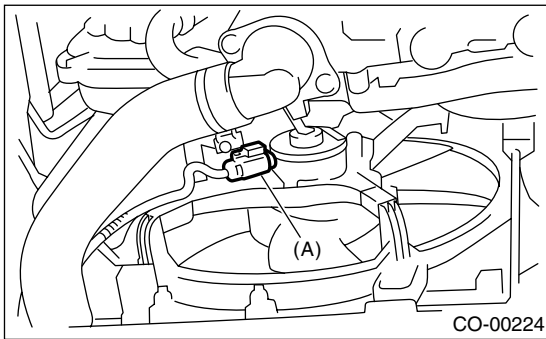
9. Radiator Main Fan and Fan Motor

A: REMOVAL

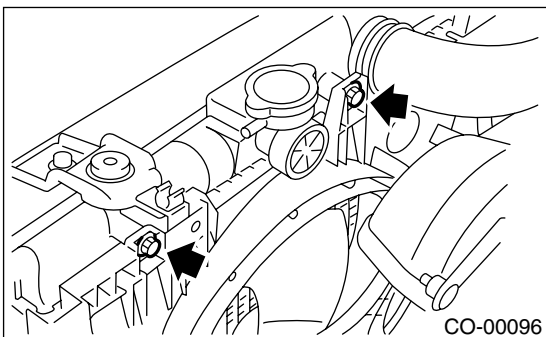
- 1) Set the vehicle on a lift.
- 2) Disconnect the ground cable from battery.



- 3) Lift-up the vehicle.
- 4) Remove the under cover.
- 5) Disconnect the connector of main fan motor (A).



- 6) Remove the ATF hose from clip of radiator main fan motor assembly. (AT model)
- 7) Lower the vehicle.
- 8) Disconnect the overflow hose.
- 9) Remove the reservoir tank. <Ref. to CO(H4SO)-25, REMOVAL, Reservoir Tank.>
- 10) Remove the bolts which secure the radiator main fan shroud to radiator.



- 11) Remove the radiator fan motor assembly.

B: INSTALLATION

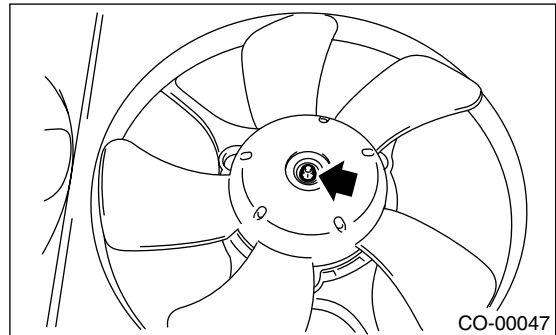
Install in the reverse order of removal.

NOTE:

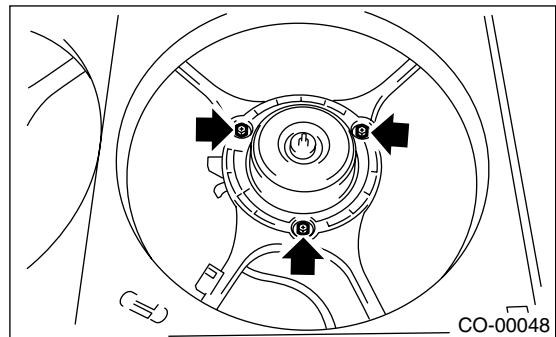
- If it is difficult to install the radiator main fan motor assembly, first loosen the bolts which hold the radiator sub fan motor assembly.
- Refer to COMPONENT for tightening torque. <Ref. to CO(H4SO)-3, COMPONENT, General Description.>

C: DISASSEMBLY

- 1) Remove the nut which holds the fan itself onto fan motor and shroud assembly.



- 2) Remove the bolts which install the fan motor.



D: ASSEMBLY

Assemble in the reverse order of disassembly.

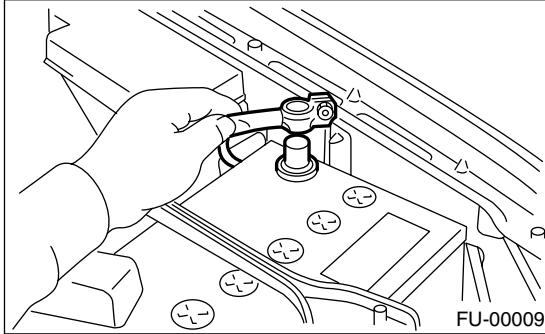
NOTE:

- Refer to COMPONENT for tightening torque. <Ref. to CO(H4SO)-3, COMPONENT, General Description.>

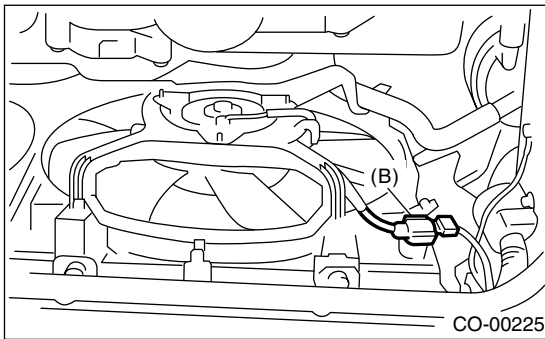
10. Radiator Sub Fan and Fan Motor

A: REMOVAL

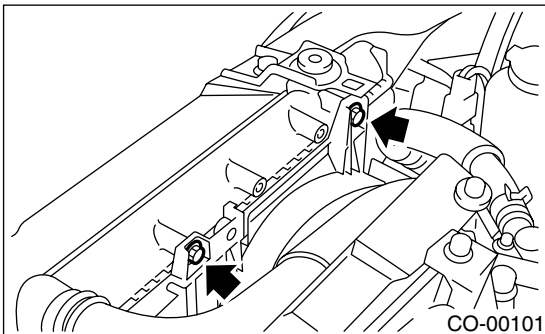
- 1) Set the vehicle on a lift.
- 2) Disconnect the ground cable from battery.



- 3) Lift-up the vehicle.
- 4) Remove the under cover.
- 5) Disconnect the connector of sub fan motor (B).



- 6) Remove the ATF hose from clips of radiator sub fan motor assembly. (AT model)
- 7) Lower the vehicle.
- 8) Remove the air intake duct. (2.5 L model)
- 9) Remove the bolts which hold the radiator sub fan shroud to radiator.



- 10) Remove the radiator sub fan motor assembly through the under side of vehicle.

B: INSTALLATION

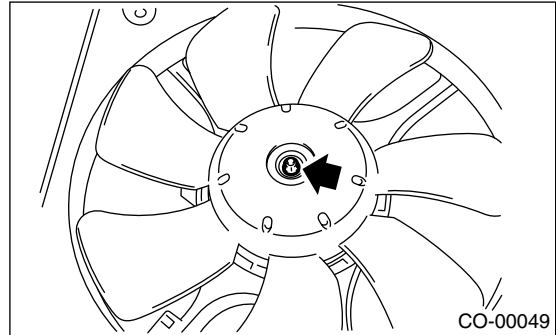
Install in the reverse order of removal.

NOTE:

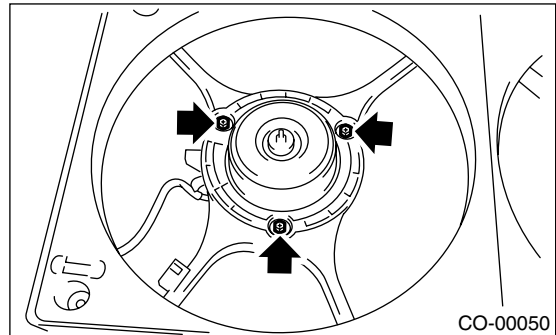
Refer to COMPONENT for tightening torque. <Ref. to CO(H4SO)-3, COMPONENT, General Description.>

C: DISASSEMBLY

- 1) Remove the clip which holds the motor connector onto shroud.
- 2) Remove the nut which holds the fan itself onto fan motor.



- 3) Remove the bolts which install the fan motor onto shroud.



D: ASSEMBLY

Assemble in the reverse order of disassembly.

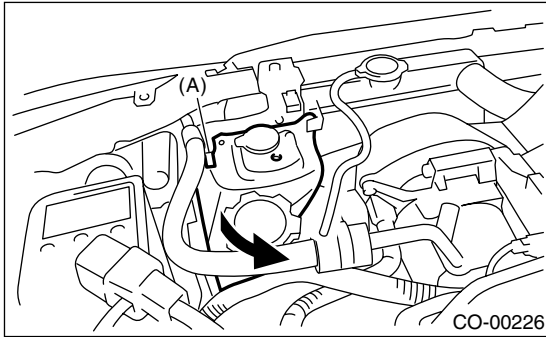
NOTE:

Refer to COMPONENT for tightening torque. <Ref. to CO(H4SO)-3, COMPONENT, General Description.>

11. Reservoir Tank

A: REMOVAL

- 1) Disconnect the overflow hose from the radiator filler neck position.
- 2) Pressing the pawl (A), remove the reservoir tank by pulling in the direction indicated by the arrow.



B: INSTALLATION

Install in the reverse order of removal.

C: INSPECTION

Make sure the engine coolant level is between full and low.

Engine Cooling System Trouble in General

COOLING

12.Engine Cooling System Trouble in General

A: INSPECTION

Trouble	Possible cause	Corrective action
Over-heating	a. Insufficient engine coolant	Replenish the engine coolant, inspect for leakage, and repair.
	b. Loose timing belt	Repair or replace the timing belt tensioner.
	c. Oil on timing belt	Replace.
	d. Malfunction of thermostat	Replace.
	e. Malfunction of water pump	Replace.
	f. Clogged engine coolant passage	Clean.
	g. Improper ignition timing	Inspect and repair the ignition control system. <Ref. to EN(H4SO)(diag)-2, Basic Diagnostic Procedure.> or <Ref. to EN(H4SOw/oOBD)(diag)-2, Basic Diagnostic Procedure.>
	h. Clogged or leaking radiator	Clean or repair, or replace.
	i. Improper engine oil in engine coolant	Replace the engine coolant.
	j. Air/fuel mixture ratio too lean	Inspect and repair the fuel injection system. <Ref. to EN(H4SO)(diag)-2, Basic Diagnostic Procedure.> or <Ref. to EN(H4SOw/oOBD)(diag)-2, Basic Diagnostic Procedure.>
	k. Excessive back pressure in exhaust system	Clean or replace.
	l. Insufficient clearance between piston and cylinder	Adjust or replace.
	m. Slipping clutch	Repair or replace.
	n. Dragging brake	Adjust.
	o. Defective thermostat	Replace.
p. Malfunction of radiator fan	Inspect the radiator fan relay, engine coolant temperature sensor or radiator motor and replace there.	
Over-cooling	a. Atmospheric temperature extremely low	Partly cover the radiator front area.
	b. Defective thermostat	Replace.
Engine coolant leaks	a. Loosened or damaged connecting units on hoses	Repair or replace.
	b. Leakage from water pump	Replace.
	c. Leakage from water pipe	Repair or replace.
	d. Leakage around cylinder head gasket	Retighten the cylinder head bolts or replace gasket.
	e. Damaged or cracked cylinder head and crankcase	Repair or replace.
	f. Damaged or cracked thermostat case	Repair or replace.
	g. Leakage from radiator	Repair or replace.
Noise	a. Defective timing belt	Replace.
	b. Defective radiator fan	Replace.
	c. Defective water pump bearing	Replace the water pump.
	d. Defective water pump mechanical seal	Replace the water pump.